

Videojet® 6210

Thermal Transfer Overprinter

Thermal Transfer.

Ink Jet.

Laser.

Labelers.

Track & Trace.

Supplies.

Parts & Service.

The Videojet® 6210 Thermal Transfer Overprinter offers a proven and cost-effective solution for users ready to migrate to a digital solution from a non-digital solution such as hot stamp or roller coders. The Videojet 6210 delivers maximum reliability and efficiency for marking variable, high resolution images on flexible packaging and labels — at an affordable price.

Consistent, high quality print

- 300 dpi images on a wide variety of flexible packaging materials
- Well-suited for snack food, bakery, confectionery, frozen and refrigerated foods, bagged fresh vegetables and dried fruits markets

Real-time variable data

- Internal clock function provides on-line printing of variable and real-time data
- Best by date, time, batch and lot codes, shift code and production line ID



Long production runs

- Proven, highly reliable, clutchless ribbon drive
- Ribbon tension is consistently maintained, virtually eliminating ribbon-related downtime
- 600 meter ribbon length requires less frequent ribbon changes than hot stamp or other competitive TTO

Simple to operate

- Intuitive, graphical user interface incorporates easy to learn icon based controls
- WYSIWYG image display reduces set up errors
- Color touch screen

Low cost of ownership

- Bi-directional ribbon drive allows unused ribbon to be recaptured after each print
- Delivers more prints per roll and a low cost of ownership

VIDEOJET®
Uptime Peace of Mind®



Printhead

32 mm, 300 dpi (12 dots / mm)

Print Area

Continuous mode: Max. 32 mm x 40 mm (1.26" x 1.57")
Intermittent mode: Max. 32 mm x 34 mm (1.26" x 1.34")

Printing Modes

Continuous & Intermittent modes in the same machine

Print Speed

Intermittent: 50 mm/sec. to 200 mm/sec. (2.0"/sec to 7.9"/sec)
Continuous: 40 mm/sec. to 500 mm/sec. (1.6"/sec to 19.7"/sec)

Operator Interface

5.7" Color QVGA CSTN (240 x 320 pixels) LCD and touch screen
WYSIWYG print preview
On-board diagnostics
3 levels of password protection
Multiple language support

Ribbon Drive

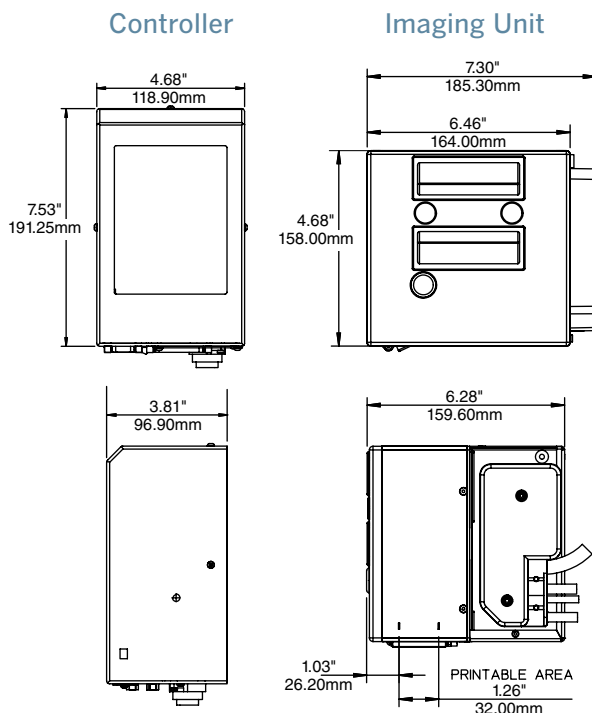
Solid-state, clutchless bi-directional ribbon drive, including

- Ribbon break detection
- End of reel detection
- Ribbon consumption indication
- Ribbon Save mode: Interleave (50% saving of ribbon)

Printing Capabilities

Full downloadable font support using Windows® TrueType® fonts
Fixed and variable text and numeric data
User entered text and numeric data (including Chinese)
Flexible date / time formats (based on internal real time clock)
Auto best before date calculations
Flexible shift code formats

Dimensions



Ribbon Length

600 meters (656 yds.) available in variety of grades and colors

Ribbon Widths

22 mm and 33 mm (0.87" and 1.30")

Image Design Management

Created using CLARISOFT for VJ6210
Stored locally in printer's internal memory (128MB capacity)
Loaded via USB memory stick or RS232

Remote Coder Configuration Software

Clarity Configuration Manager (included)

External Communications

USB memory stick, RS232 (binary communications only)

External Inputs

Print Go
Inhibit Print
Quadrature encoder (single phase not supported)

External Outputs

Fault
Warning
Busy
Printing

Air Supply

4-6 Bar, locally regulated

Power Supply

90-240 VAC 50/60Hz

Operating Temperature

5°- 40° C (41°-104°F)



800-843-3610

www.videojet.com / info@videojet.com

Videojet Technologies Inc. / 1500 Mittel Blvd.
Wood Dale IL 60191 / USA

Phone 630-860-7300 Fax 800-582-1343