

# Videojet® 1210

Small Character Ink Jet Printer

## Ink Jet.

Laser.

Thermal Transfer.

Labelers.

Track & Trace.

Supplies.

Parts & Service.

Simpler operation. Less maintenance. Superior print quality. The all-new Videojet 1210 continuous ink jet printer is engineered to keep your line up and running longer. It's designed for customers who print six hours to eight hours per day, five days per week — providing up to 18 months of production before required preventive maintenance.

## Advanced capabilities

- Up to 3 lines of code with speeds up to 533 ft./min. (162 m/min.)
- Standard USB with logo and memory back up features

## Simple to maintain

- 6,000-hour core life
- No mess, no waste, no mistake fluid cartridge delivery system

## Superior environmental protection

- IP55 washdown protection standard



### Line Speed Capability

Can print 1 to 3 lines of print at speeds of up to 533 ft./min. (162.5 m/min.) (10 characters per inch, single line of print)

### Font Matrix Configuration

Single-line: 5x5, 5x7, 7x9, 11x16, 17x24  
Twin-line: 5x5, 5x7, 7x9  
Tri-line: 5x5, 5x7

### Nominal Character Height

Selectable from 0.079" (2 mm) to 0.279" (8.5 mm), depending on font

### Throw Distance

Optimal: 0.472" (12 mm)  
Range: 0.197" (5 mm) to 0.591" (15 mm)

### Keyboard

Membrane style with tactile feedback, including 72 numeric, alphabetic, and special function keys. PC-style layout to approximate international PC convention.

### Display

320x240 Bright blue backlit 5.7" LCD display.  
WYSIWYG onscreen message editing

### Custom Logo/Graphics

Can be created by individual user on printer or PC with optional Videojet Logo Creator software

### Character Sets

American, Arabic, Bulgarian, Chinese, East European, European, Greek, Hebrew, Hungarian, Italian, Japanese, Japanese/Kanji, Japanese/Katakana, Korean, Russian, Simplified Chinese, Scandinavian, Thai, Traditional Chinese, Turkish, Vietnamese

### Languages and Interface Options

English, Arabic, Bulgarian, Czech, Danish, Dutch, Finnish, French, German, Greek, Hebrew, Hungarian, Italian, Japanese, Korean, Norwegian, Polish, Portuguese, Russian, Simplified Chinese, Spanish, Swedish, Thai, Traditional Chinese, Turkish and Vietnamese

### Data Interface

Standard USB with logo and memory backup features

### Message Storage

100 complex messages. Unlimited storage using USB.

### Console Dimensions

Stainless steel  
21.3" (541 mm) high  
13.6" (345 mm) wide  
11.2" (285 mm) deep

### Environmental Protection

IP55

### Printhead

Heated printhead  
Diameter: 1.63" (41.3 mm)  
Length: 9.47" (240.5 mm)

### Printhead Umbilical

Ultra flexible  
Length: 6.56' (2 m)  
Diameter: 0.91" (23 mm)  
Bend radius: 3.00" (76.2 mm)

### Fluids Containers

Ink Smart Cartridge™ 0.793 qt. (750 ml)  
Make-up Smart Cartridge 0.793 qt. (750 ml)

### Temperature/Humidity Range

41°F to 113°F (5°C to 45°C)  
0% to 90% RH non-condensing

### Electrical Requirements

Nominal supply power 100-120 / 200-240 VAC at 50/60 Hz., 120 W

### Approximate Weight

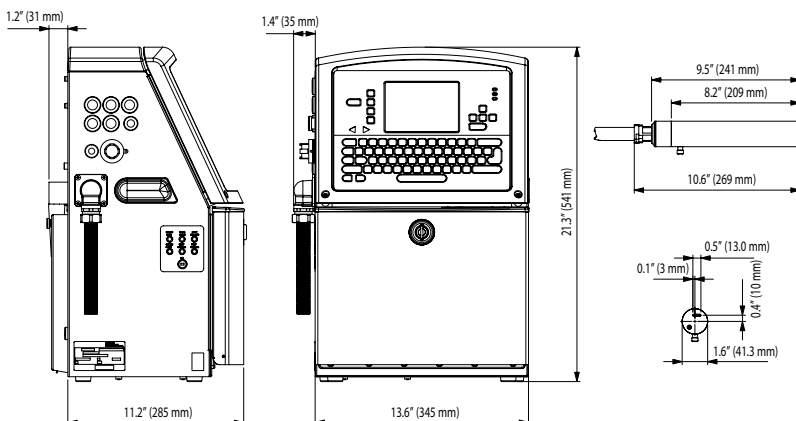
Unpacked and dry: 39.68 lbs. (18 kg)

### Options

Positive air pump  
Dry air kit for high humidity (requires plant air)  
Product detect, relay, RS 485 expansion board  
RS232, encoder, beacon expansion board  
9.8-foot (3 m) umbilical  
Food grade version  
Wide range of accessories



## Dimensions



65 6444 4218  
[www.videojet.com/sg](http://www.videojet.com/sg)  
[marketing.singapore@videojet.com](mailto:marketing.singapore@videojet.com)

**Videojet Technologies (S) Pte Ltd**  
750 Oasis, Chai Chee Road,  
#03-20 Technopark @ Chai Chee,  
Singapore 469000.

