

tem

**An answer for the pursuit of
ideal between Quality and Cost**

**MADE IN
JAPAN
QUALITY**



TWJB
Vertical Form-Fill-Seal Machine

A New Japan-Basic from Long-established Tokyo Automatic Machinery Works

Helps to gain enhanced productivity with stable operation

- Max. 100bpm is achieved even with Intermittent motion
- Servo driven and 2-link type heater system for end-sealing structure realize a higher seal quality

Easy Operation

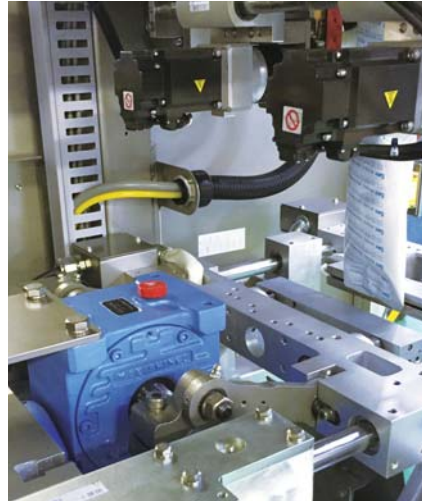
- A 5-inch color touch screen with fine viewability
- An easy film change by air-chuck type film reel

Standard equipments

- Two-stage end-sealing motion
- Vacuum chamber type film tenting
- Dual Servo driven vacuum belts

Options

- Auger filler
- Gas flushing device
- Punch hole mechanism
- Various types of printers and others



Servo driven and 2-link type heater system

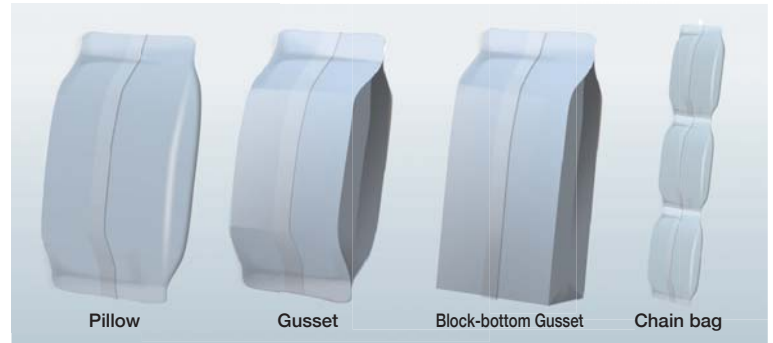


Vacuum chamber type film tenting

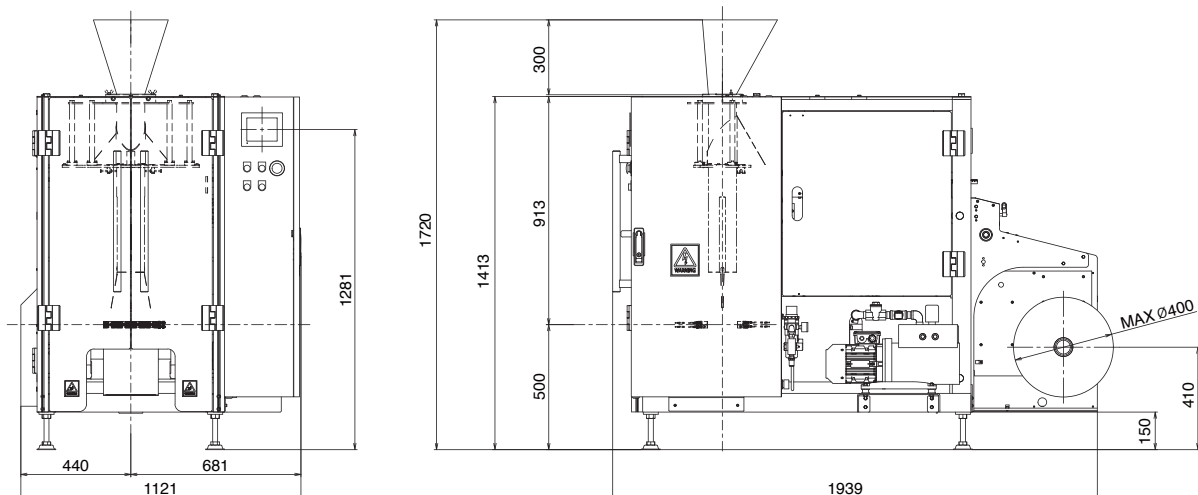
Machine Specifications

Bag Type	Pillow, Gusset, Block-bottom Gusset, Chain bag	
Bag size	W	50~200mm
	L	50~300mm
Packaging Speed	100 bpm/Max	
Power Supply	3-Phase 200V, 50/60Hz, approx. 8.3kVA	
Power Consumption	4.0kW	
Air Consumption	90 Litter (Normal) per min.	
Machine Dimensions	1121(W) x 1939(D) x 1413(H) mm	
Machine Weight	620kg	

Bag types



External Dimensions (unit : mm)



Specifications are subject to change without notice due to technical improvements or modifications.

Tokyo Automatic Machinery Works, Ltd.

TOJIKI BLDG., 3-10-7 Iwamotocho, Chiyoda-Ku, Tokyo 101-0032 Japan
 TEL: 81-3-3866-4824 FAX: 81-3-3866-7150
 URL: <http://www.tam-tokyo.co.jp/>
 E-mail: tam-overseas@tam-tokyo.co.jp

Agent: